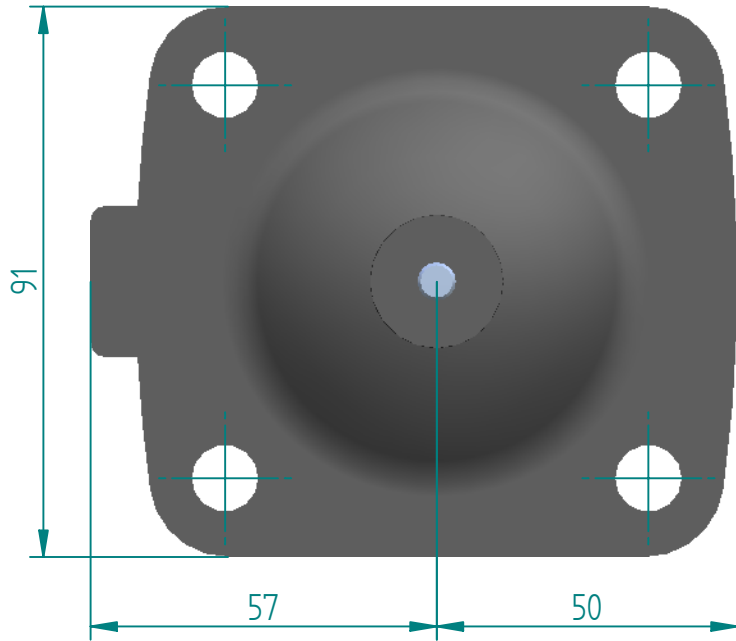
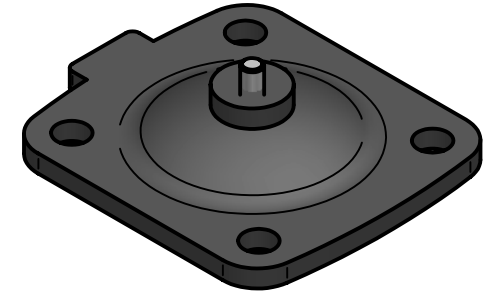
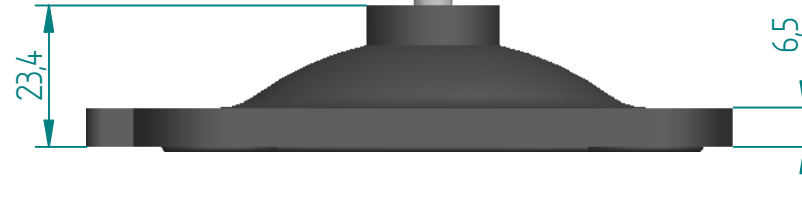


REVISION HISTORY

REV	DESCRIPTION	DATE	APPROVED
B	OEM PART changed from 1.500-D to DA040B1	27/02/22	JB

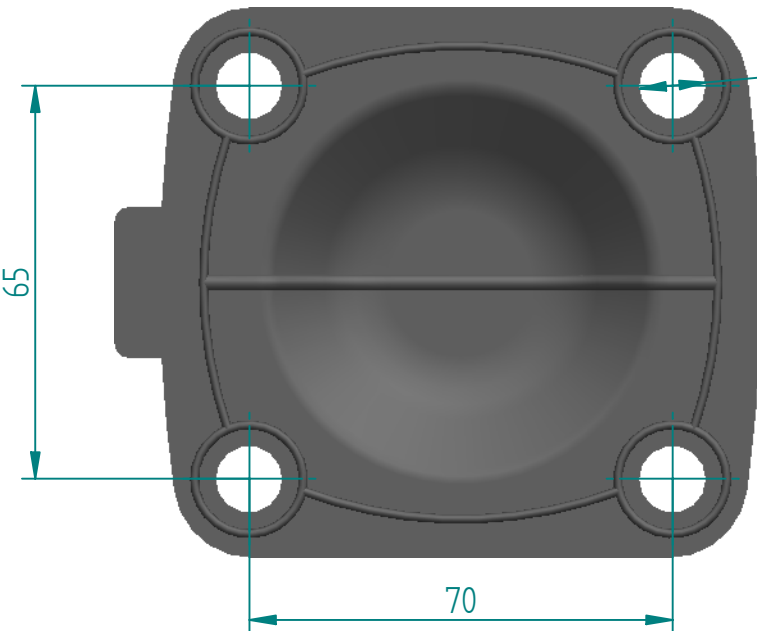


1/4" - Whitworth (INSERT SCREW)



SCALE
1:2

Ø 11 (4 Holes)



Replacement Diaphragm for :-

OEM PART = DA040B1

USED ON 1.5" (DN40) Diaphragm Valve

	NAME	DATE
DRAWN	M.MC KEON	02/27/22
CHECKED	M.MC KEON	02/27/22

Material -BUTYL(IIR)

Complies with CFR 177.2600
and Conforms to
USP Class VI Biological Reactivity
Tests Section #87 and #88



TITLE
DD15-SIIR

SIZE A	FOOT PRINT DIMENSIONS	REV B
--------	------------------------------	-------

FILE NAME: DD15-SIIR-B.dft

SCALE: 1:1.25	SHEET 1 OF 1
---------------	--------------

Disclaimer - Diaphragm Direct® does not manufacture, represent, nor sell OEM valves or diaphragms manufactured by any other company. Diaphragm Direct® brand diaphragms are not sponsored by any other manufacturers. Any name, model, part number, brand, image, material or referral is for descriptive purposes only. Diaphragm Direct® brand replacement diaphragms are guaranteed to fit OEM equipment and meet or exceed OEM specifications. Diaphragm Direct® brand replacement diaphragms are covered by the standard Diaphragm Direct® limited product warranty.